

IP Desktop

Professional USB desktop controllers



The network surveillance industry's #1 selling USB joystick, the IP Desktop features a two button three axes Hall effect joystick, 10 tactile pushbuttons and USB 1.1 interface. Recommended and used by the most innovative companies in network surveillance, the IP Desktop has become the industry standard for security professionals.

KEY FEATURES

- 3 axes joysticks for P/T/Z control
- Programmable pushbutton switches
- USB 1.1 HID compliant "game controller"
- Easy to use and operate
- Optional programming software



IP Desktop

Professional USB desktop controllers

SPECIFICATIONS

Joystick performance	–	Hall effect three axes joystick
	–	X/Y/Z for positioning control
Joystick travel	–	36° for X and Y axes
	–	60° for Z axis
Centering	–	Single spring, omni-directional
Joystick shaft	–	Stainless steel
Joystick boot	–	Neoprene
Joystick handle	–	Glass filled nylon
Pushbutton performance	–	10 tactile pushbuttons on housing
	–	Two tactile pushbuttons on joystick
	–	3,000,000 cycles
Desktop housing	–	High impact ABS
Power	–	Via USB interface (5V DC)
	–	Consumption 32mA
Operating conditions	–	-25°C to +85°C (-13°F to +185°F)
Approvals	–	EN 55024:1998, EN 55022, CE
	–	FCC Part 15 Subpart B Class B
	–	RoHs compliant
Weight	–	440 g (0.97lb)
Interface	–	USB port
Connectors	–	USB Type A Male
	–	Cable Length: 2m; 6ft. 6.8in
Systems support integration	–	Windows 7, Vista, XP, 2000
Supported protocols	–	USB HID 1.1 game controller
	–	Direct X (Gaming Control)
	–	Joystick: Three HID axes
	–	Pushbuttons: 12 HID buttons
	–	Uses standard DirectX HID drivers
	–	Connects directly to workstation PC
Environmental	–	For indoor use only

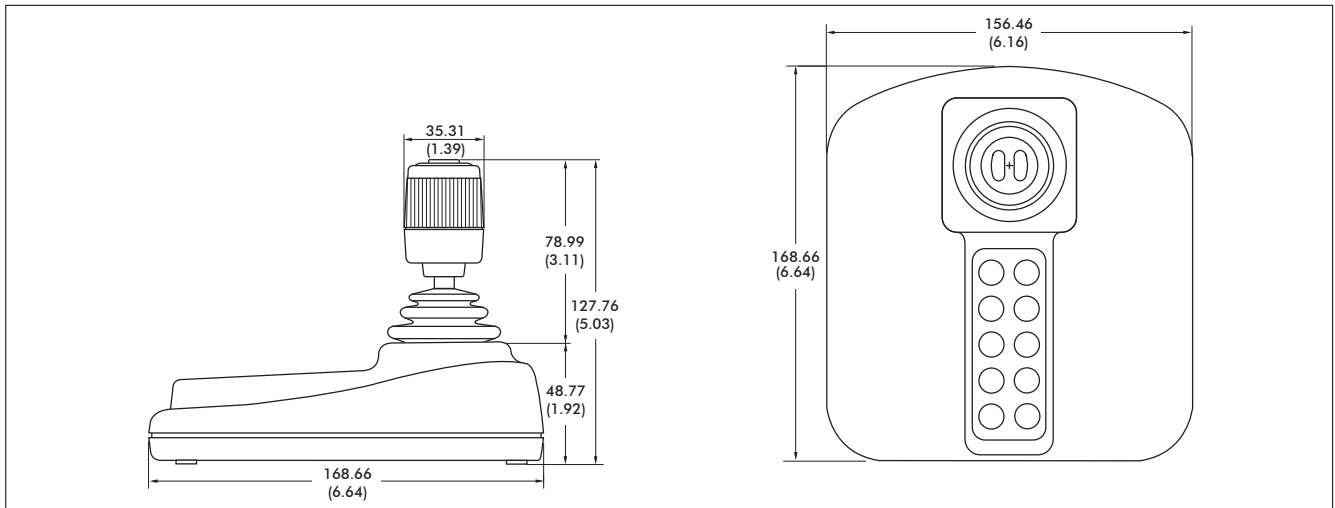
NOTE:
 All values are nominal

- IP Desktop Software is an optional utility that creates a joystick/mouse combination device and allows users to toggle between both devices with the press of a button. In addition to dual joystick/mouse functionality, IP Desktop Software creates an additional fourth joystick axis, "R." The additional "R" axis is ideally suited for jog/shuttle control of video playback.
- IP Desktop Software is designed to work with the IP Desktop range in a Windows based operating system.

IP Desktop

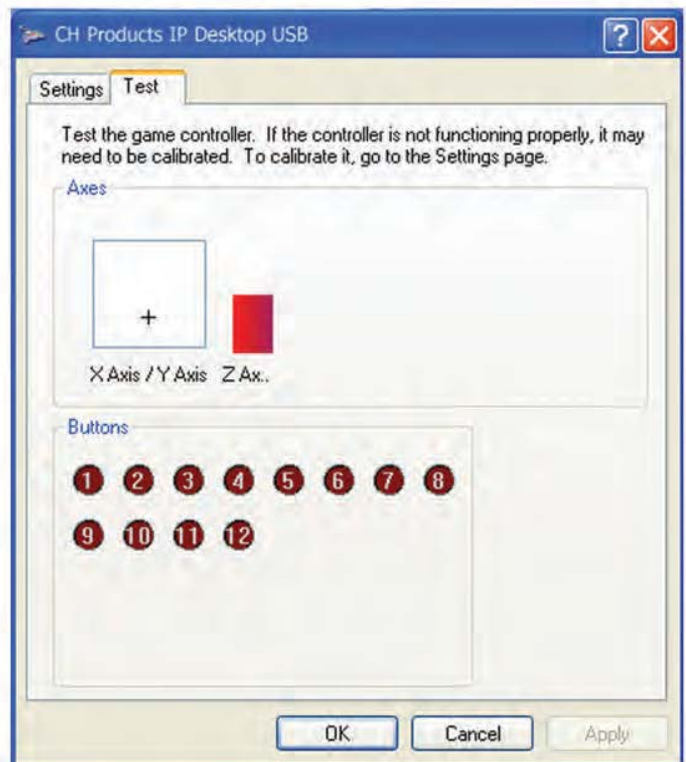
Proportional USB desktop controllers

DIMENSIONAL DRAWINGS



Note: Dimensions are in mm/(inch)

USB 1.1 HID COMPLIANT GAME CONTROLLER



Note: To order the IPD Desktop please refer to Part Number 100-550 (Gray or Black).